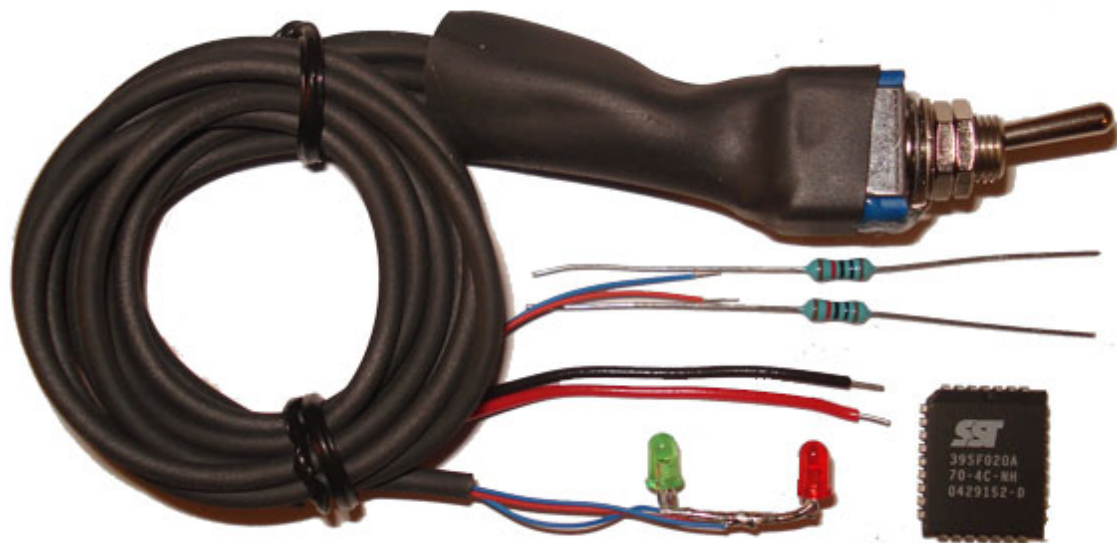




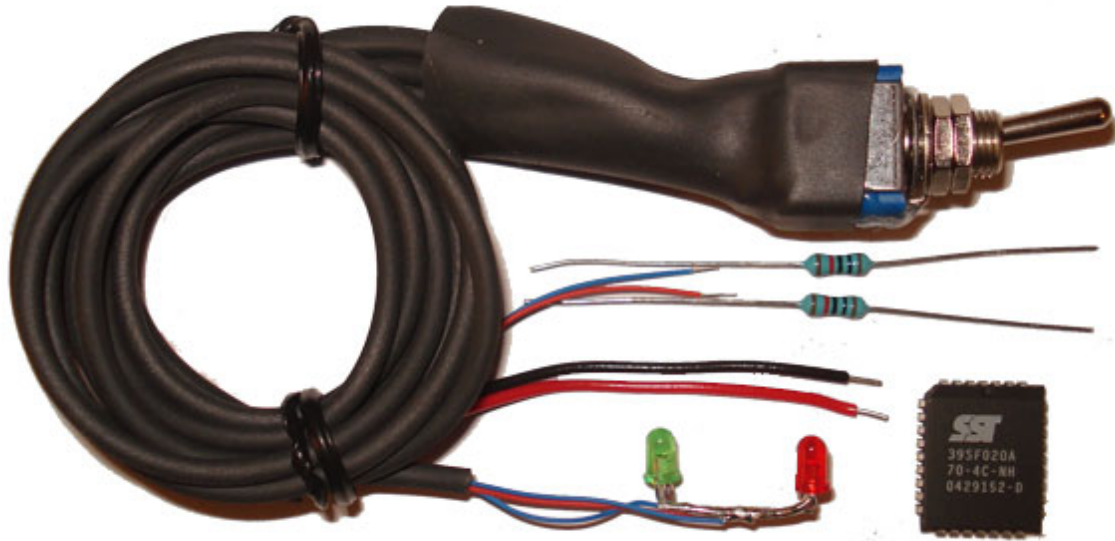
**console.se**

# XBOX360 DualBoot KIT v1.01

## Samsung and Hitachi-LG



# Contents:



1 pcs DualBoot cable with switch

2 pcs 10k ohm resistance

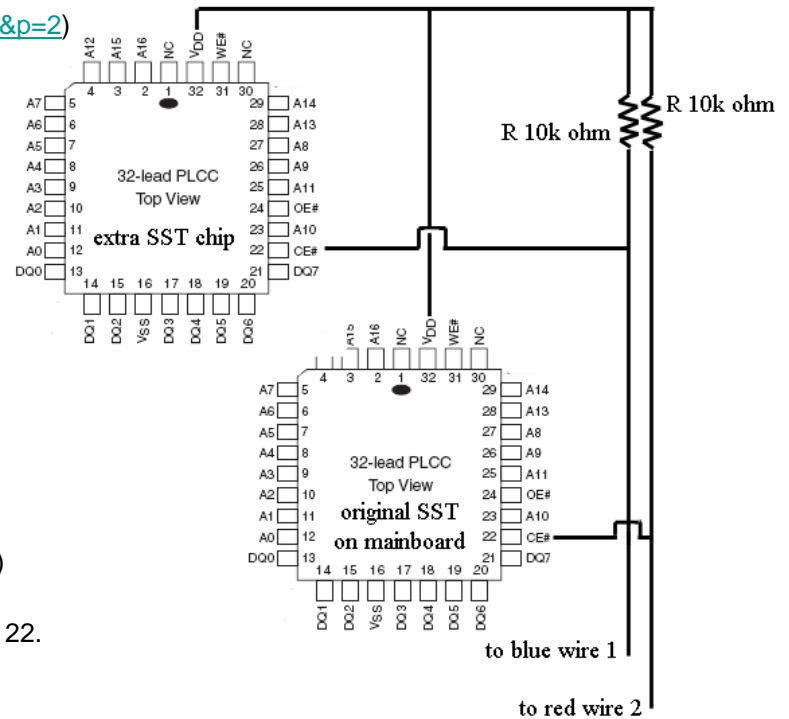
1 pcs SST39SF020A

# What you need!

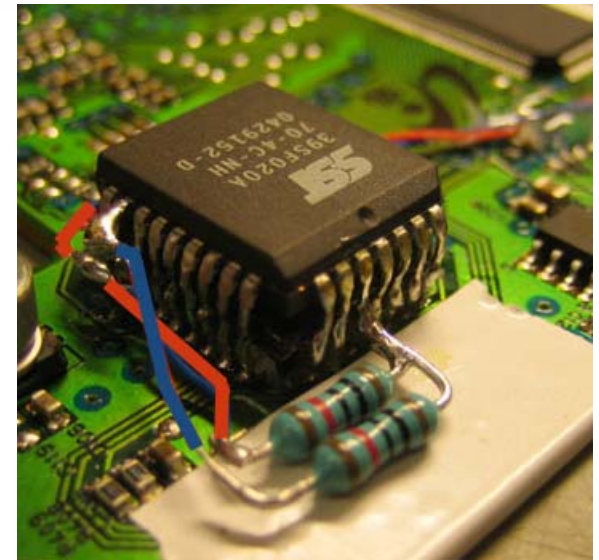
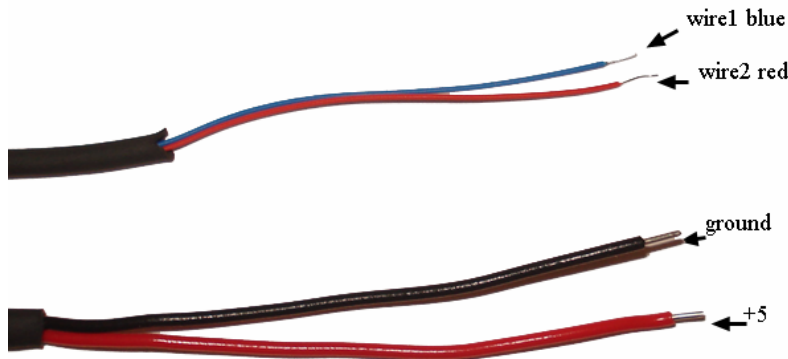
- **Torx screwdrivers**  
<http://www.divineo.se/cgi-bin/div-se/xb360-tun-mejsel>  
T6 L Key, T8 L Key, T10 L Key, T15 L Key, T20 L Key, Metal Rod L Key, Mini Screwdriver
- **Solderiron** - solder the SST chip
- **Hot airgun** - remove the epoxy from DVD drive mainboard
- **8 mm drill** - make the hole for the on/of switch
- **Hot gluegun** – fix the on/off switch

# Samsung DVD drive

- Open your XBOX and DVD drive  
(se this link for help <http://www.anandtech.com/systems/showdoc.aspx?i=2610&p=2>)
- Remove the epoxy using a hot airgun and some hard material  
(don't use anything sharp, try wood)



- Heat pin 22 and lift it from the mainboard (also called pin15 in other schematics)
- Straighten the the legs on the SST chip that come with this kit, use a tweezers. Put the SST chip above the original SST chip. Solder together all pins except pin 22.
- Folow the schematics to the right.  
Solder the two 10K ohm resistance together with pin 32 on both SST chip.  
Then connect one of the resistance to wire2 (red) + pin 22 original SST chip.  
Connect the other resistance to wire1 (blue) + pin 22 on the extra SST chip

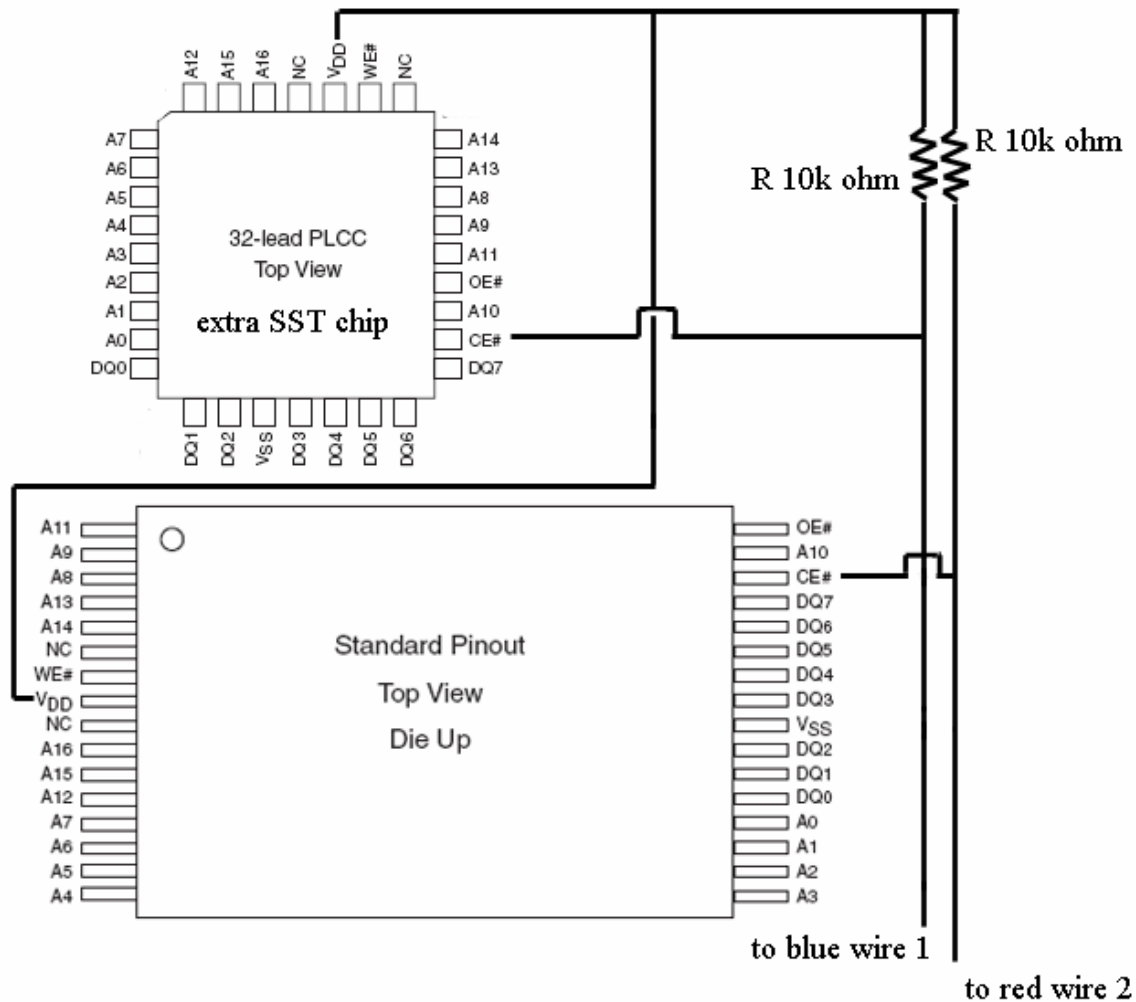


# Hitachi – LG DVD drive

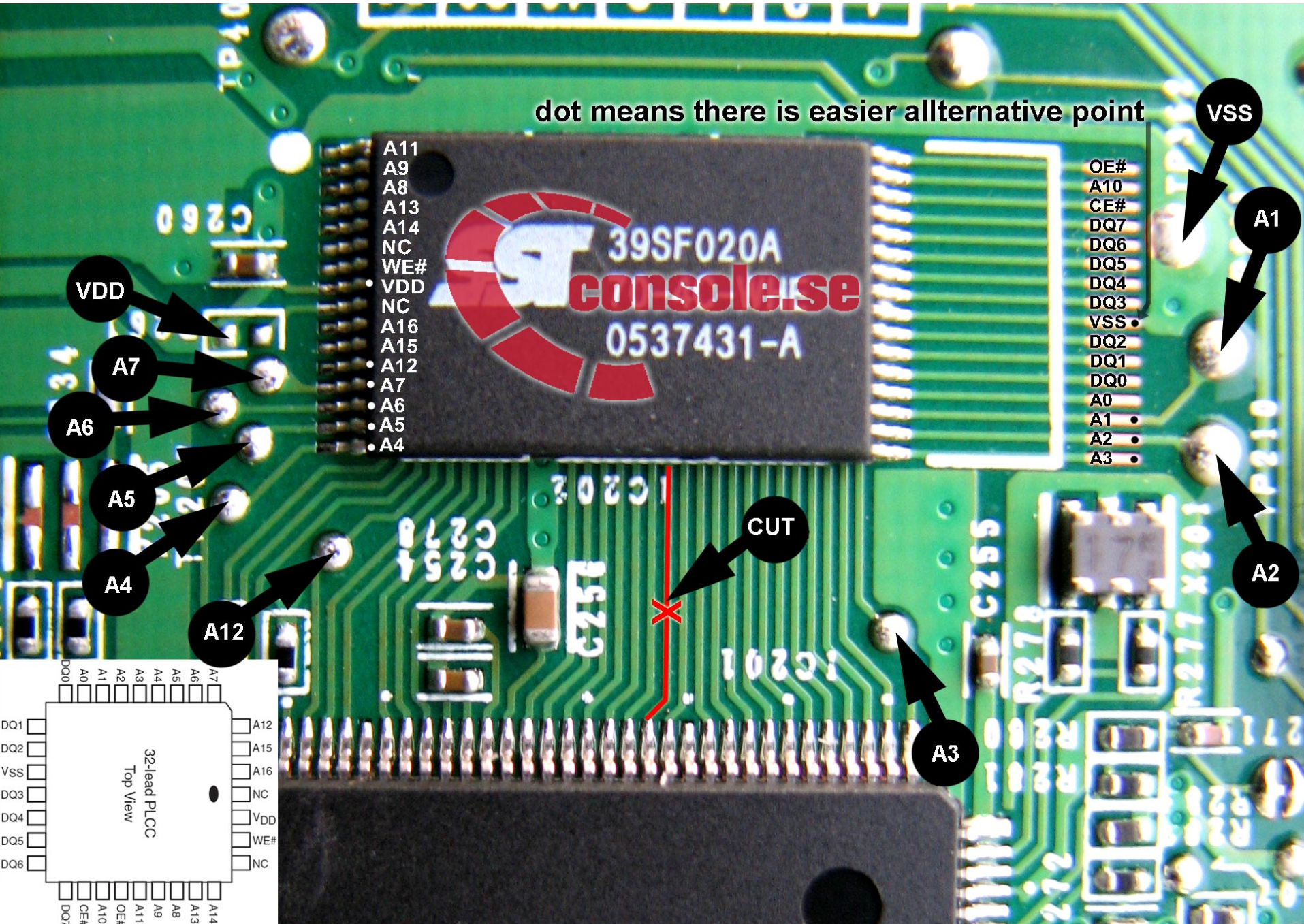
For Hitachi | LG DVD use the same idea as Samsung. The difference is that you must use cables to connect the two chips, and cut one track.

- Cut the track (CUT) marked in the diagrams
- Solder a wire from A11 on the Hitachi chip to A11 on the SST chip. Do this for every point exapt Vdd, CE# and NC (Not Conected)  
Some pins have pads you can use for easier install,
- Solder the two 10K ohm resistance together with pin VDD on both SST chip.  
Then connect one of the resistance to wire2 (red) + pin CE# original chip.  
Connect the other resistance to wire1 (blue) + pin CE# on the extra SST chip

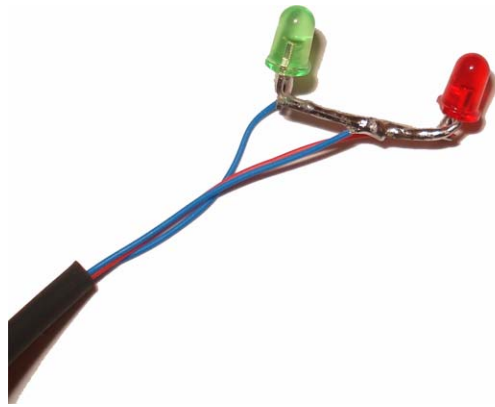
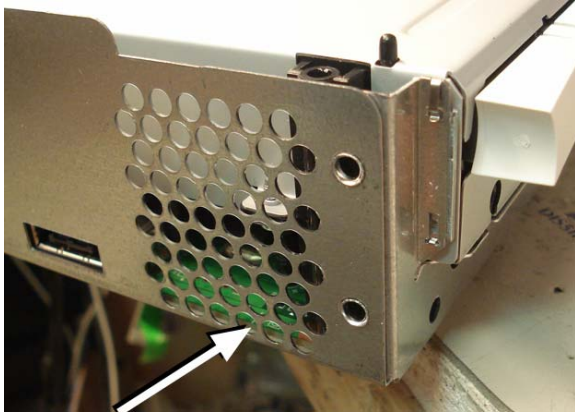
•Se next page for allternative points!!



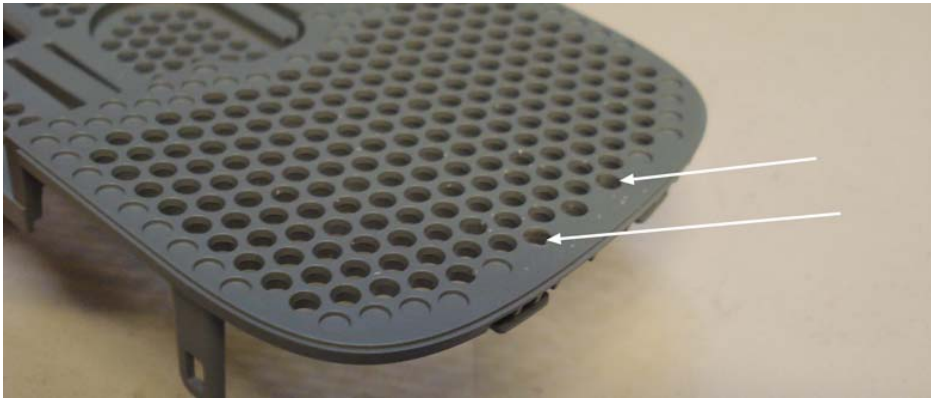
# Hitachi – LG DVD drive



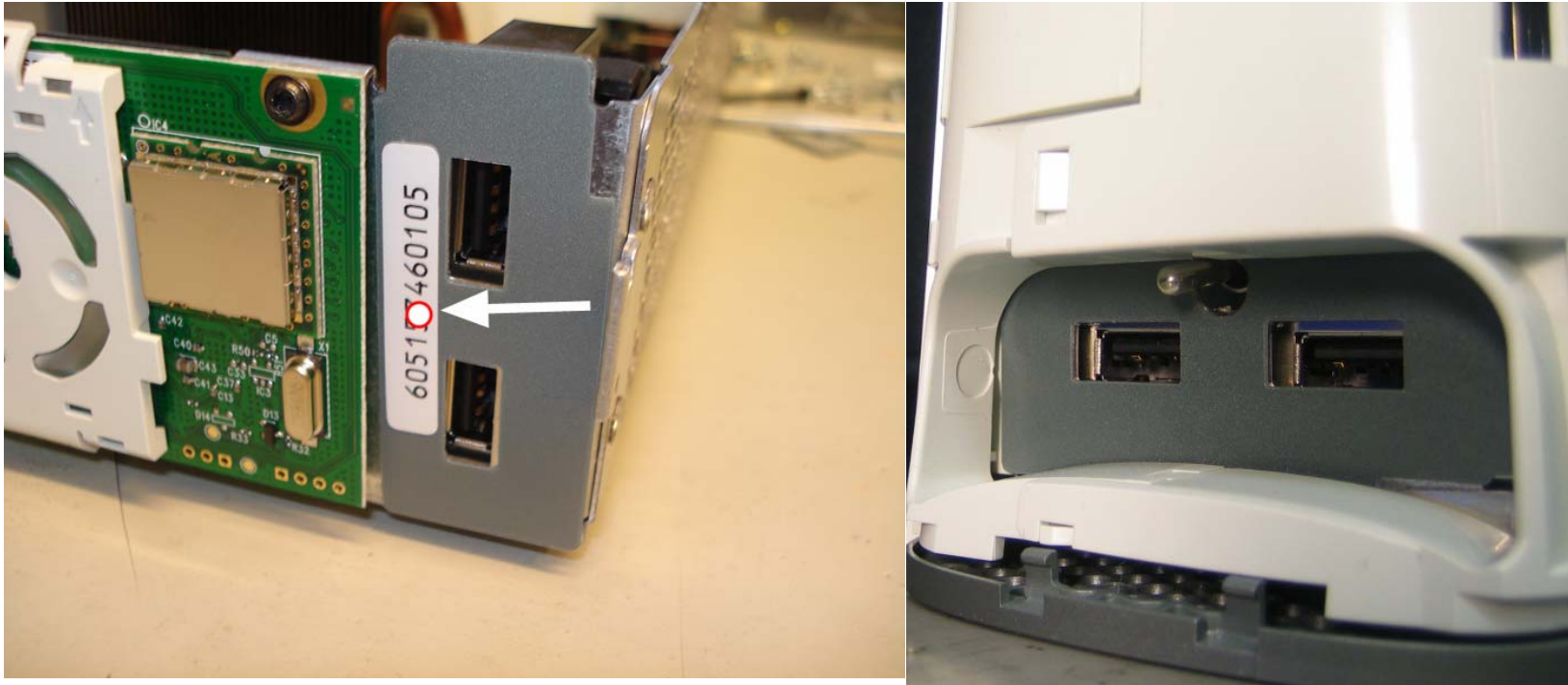
Pull the cable with the leds through this hole (inside -> out)



Fix the leds on the plastic holes. Use a screwdriver to make the holes a little bit bigger. It should fit perfect.



Use a 8 mm drill and make a hole on the chasi. (make sure that you remove the mainboard to avoid metal dust)



Use a gluegun to fix the switch beside the USB port, make sure the switch is not in the way for the USB hatch

Solder ground (black) cable to ground and +5v (red) cable to +5v  
(located near the USB ports)



Green light = Modchip is off, safe for XBOXlive and updates.  
Red light = Modchip is on, keep away from XBOXlive and updates.

Dont forget to program the extra SST chip with the Extreme firmware. Folow this link for manual.  
<http://forums.xbox-scene.com/index.php?showtopic=514944>

Thanx 2:  
Team Cavern, LittleJonny TightMod360  
Admin and Pantsi at console.se / divineo.se forums



Schematics for the switch, you don't need this if your kit is put together by us

